

# **JET**

## **JUM-1464 Universal Milling Machine**

**50000453T ~400V 50Hz**

### **PARTS LIST**

**JPW (TOOL) AG**

Tämperlistrasse 5

CH-8117 Fällanden

Switzerland

Phone +41 44 806 47 48

Fax +41 44 806 47 58

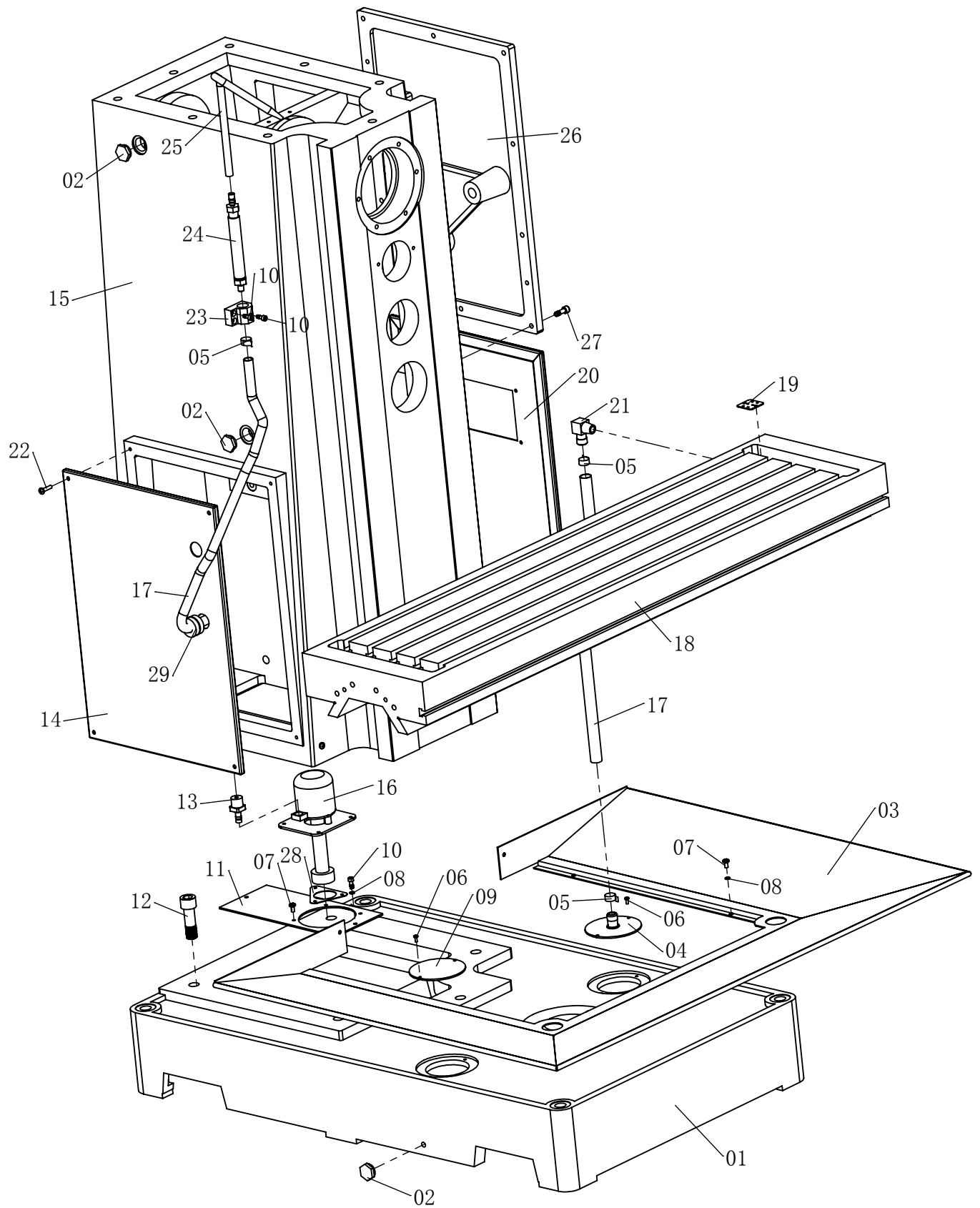


[www.jettools.com](http://www.jettools.com)

P-50000453T

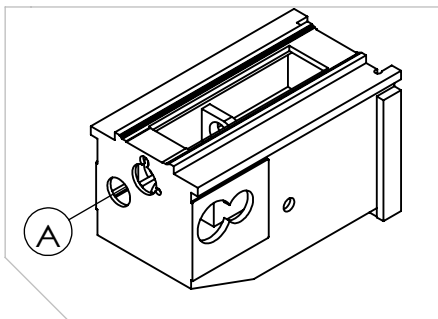
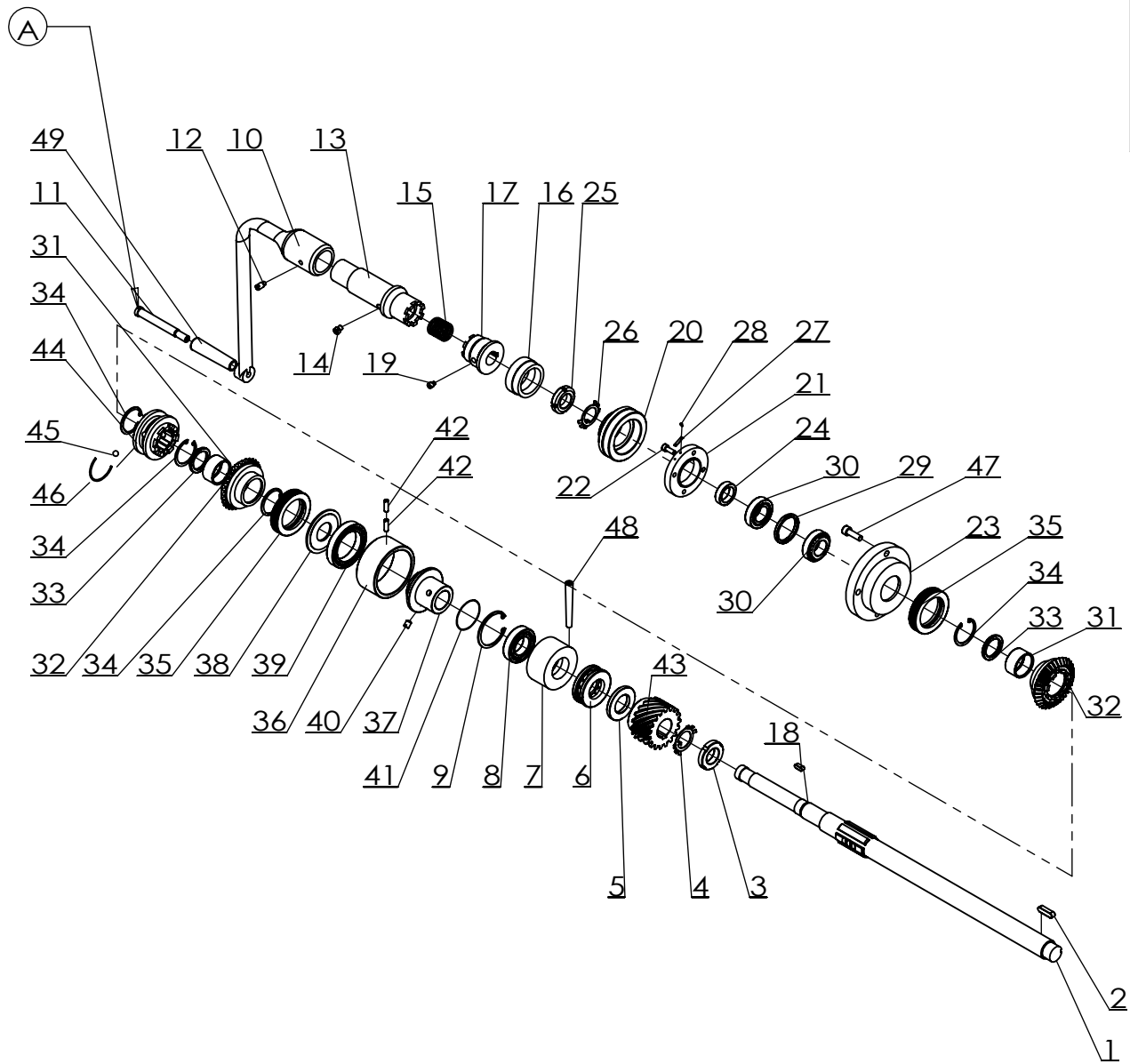
2014-06

# 01 Column & base parts

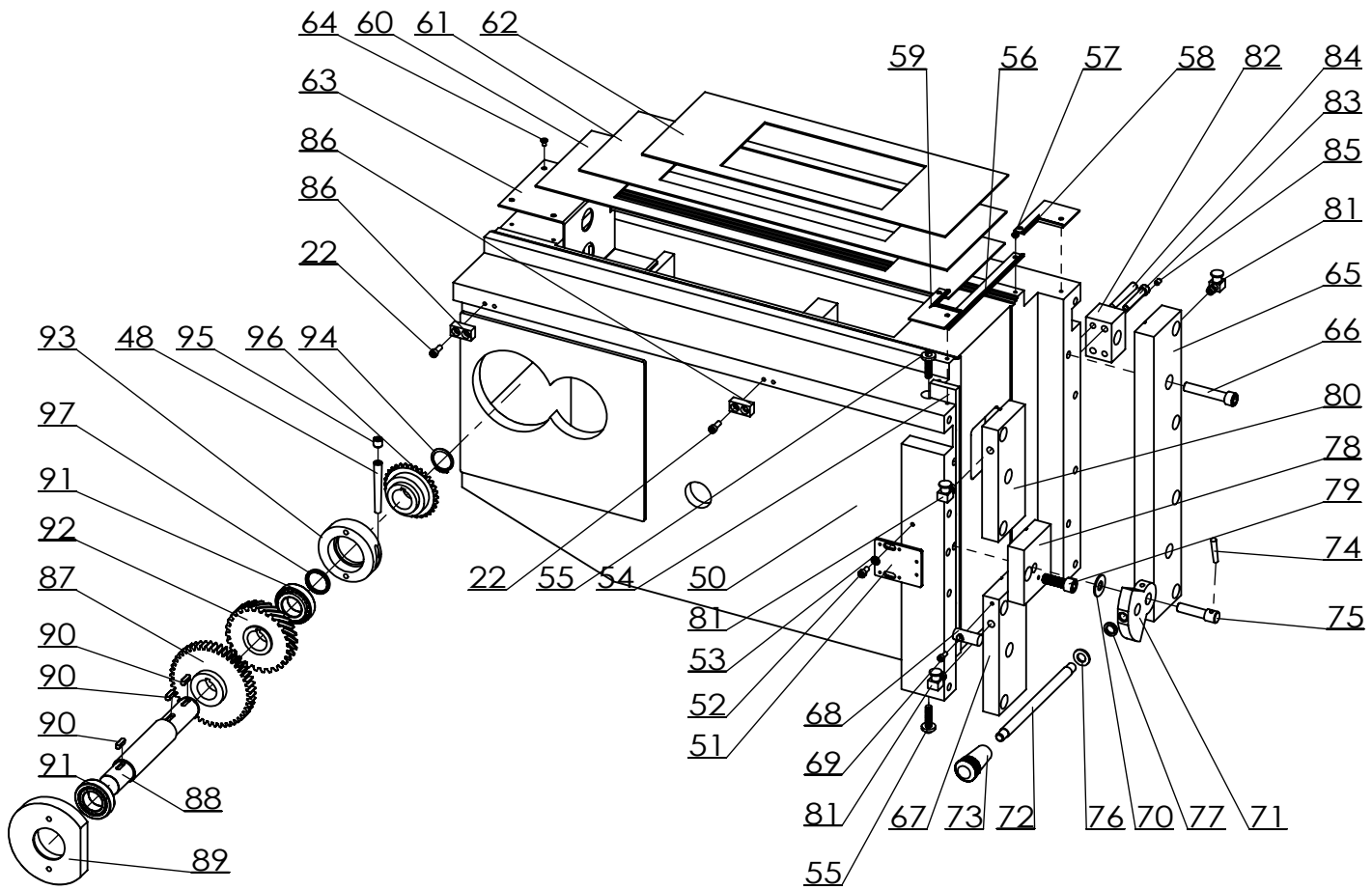


# 01 Column & base parts

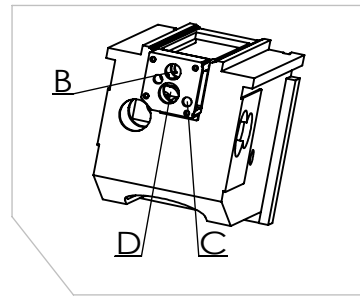
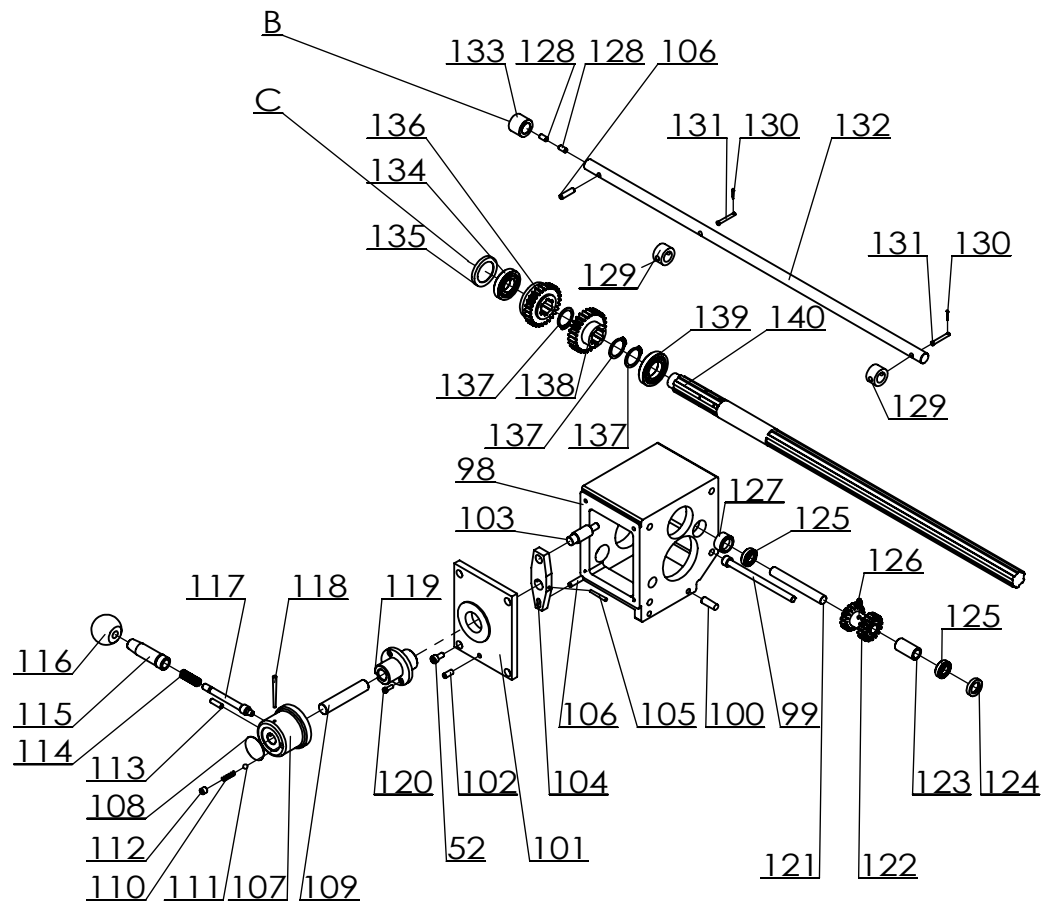
No.	Name	Qty
01001	Base	1
01002	M10×1 Oil plug	3
01003	Tray	1
01004	Pipe joint	1
01005	Φ16-Φ25 Hoop	4
01006	M4×10 Cross recessed countersunk flat head	4
01007	M6×12 Cross recessed countersunk flat head	4
01008	6 Elastic washer	10
01009	Cover board	1
01010	M6×16 Hexagon socket head cap screw	2
01011	Cooling pump block	1
01012	M20×65 Hexagon socket head cap screw	5
01013	Pipe joint	1
01014	Door	1
01015	Column	1
01016	90W Cooling pump	1
01017	Φ20×1500 PVC pipe	1
01018	Worktable	1
01019	Cover board	1
01020	Door	1
01021	Pipe joint	1
01022	M6×25 Cross recessed pan head screw	1
01023	Fixing base	1
01024	Connecting pipe	1
01025	SR301 Cooling pipe	1
01026	Cover board	1
01027	M8×25 Hexagon socket head cap screw	1
01028	Cover	1
01029	Pipe joint	1



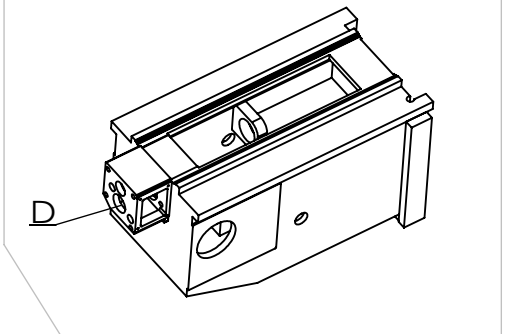
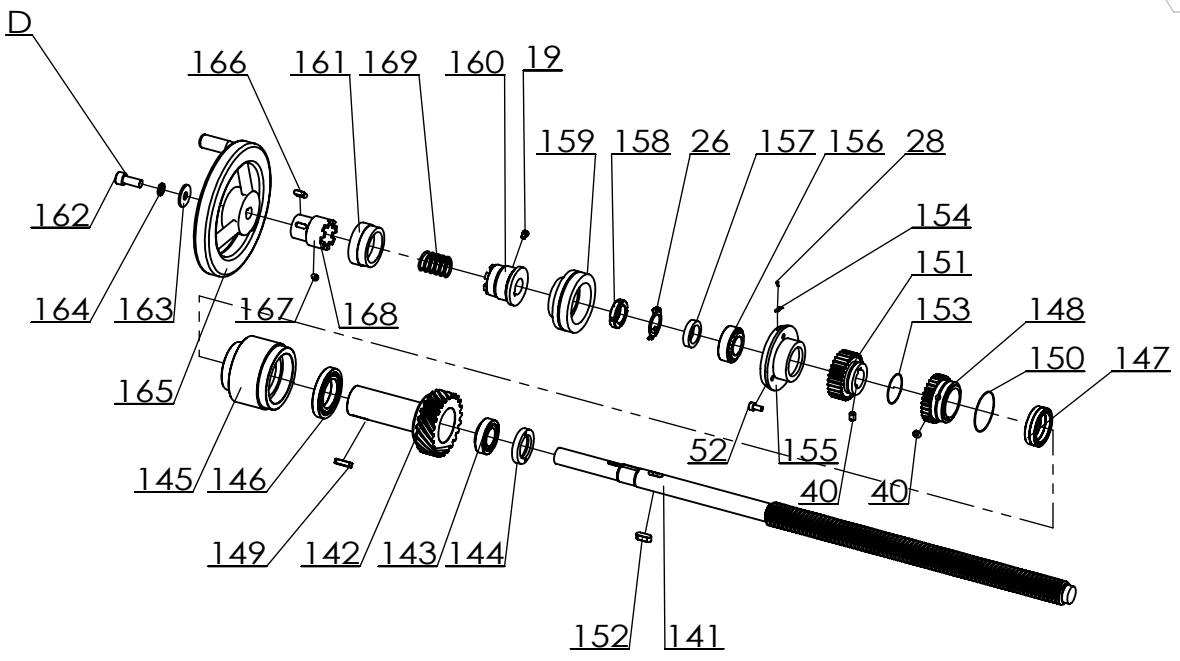
# 02 Knee Part



# 02 Knee Part

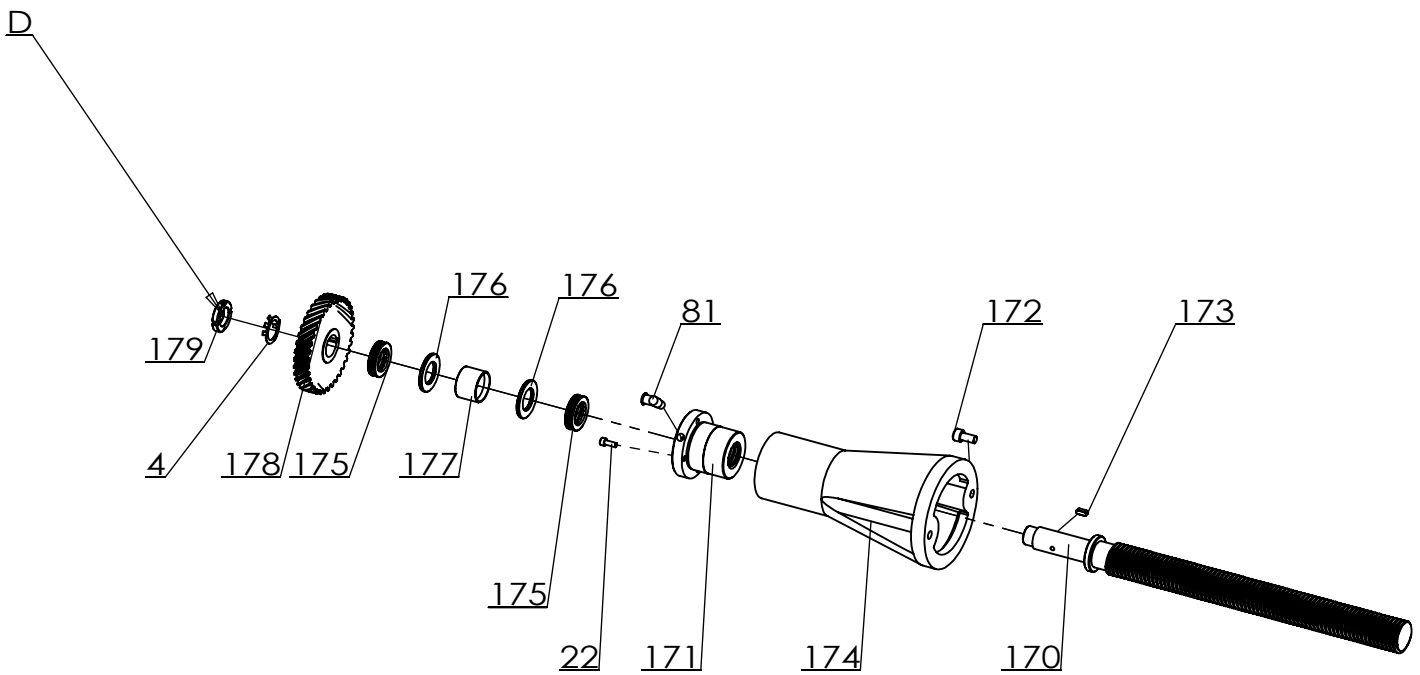
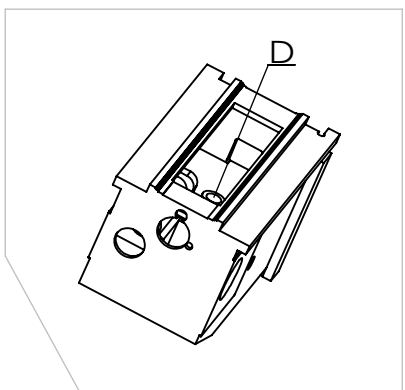


# 02 Knee Part



# 02 Knee Part

# 02 Knee Part





## 02 Knee Part

No.	Name	Qty
02001	Shaft	1
02002	Key	1
02003	Lock nut	1
02004	Lock washer	2
02005	Washer	1
02006	Bearing	1
02007	Sleeve	1
02008	Bearing	1
02009	Retaining ring	1
02010	Crank	1
02011	Grip pin	1
02012	Setscrew	2
02013	Sleeve	1
02014	Setscrew	2
02015	Spring	1
02016	Cover	1
02017	Clutch	1
02018	Key	1
02019	Setscrew	2
02020	Dial	1
02021	Flange	1
02022	Bolt	12
02023	Flange	1
02024	Washer	1
02025	Lock nut	1
02026	Lock washer	2
02027	Point	1
02028	Rivet	4
02029	Washer	1

## 02 Knee Part

No.	Name	Qty
02030	Bearing	2
02031	Bearing	2
02032	Bevel gear	2
02033	Washer	2
02034	Retaining ring	4
02035	Bearing	2
02036	Collar	1
02037	Collar	1
02038	Washer	1
02039	Bearing	1
02040	Setscrew	3
02041	Wire	1
04042	Setscrew	2
02043	Bevel gear	1
02044	Clutch	1
02045	Steel ball	1
02046	Clip ring	1
02047	Screw	4
02048	Taper pin	1
02049	Grip	1
02050	Knee	1
02051	Plate	1
02052	Screw	9
02053	Washer	2
02054	Gib	1
02055	Adjusting screw	2
02056	Chip cover	1
02057	Cross-recessed head screw	6
02058	Chip cover	1

## 02 Knee Part

No.	Name	Qty
02059	Chip cover	3
02060	Chip cover	1
02061	Chip cover	1
02062	Chip cover	1
02063	Cover	1
02064	Screw	4
02065	Pressure plate	1
02066	Screw	2
02067	Pressure plate	1
02068	Stopper	1
02069	Screw	1
02070	Adjusting washer	1
02071	Locking boss	1
02072	Operating handle	1
02073	Handle	1
02074	Taper pin	1
02075	Screw	1
02076	Flat washer	1
02077	Elastic washer	1
02078	Pressure plate	1
02079	Screw	1
02080	Pressure plate	1
02081	Oil cup	6
02082	Bracket	1
02083	Screw	2
02084	Taper pin	2
02085	Oil cup	1
02086	Stopper	2
02087	Gear	1

## 02 Knee Part

No.	Name	Qty
02088	Shaft	1
02089	Cover	1
02090	Key	3
02091	Bearing	2
02092	Gear	1
02093	Collar	1
02094	Shaft retaining ring	1
02095	Setscrew	1
02096	Bevel gear	1
02097	Washer	1
02098	Box	1
02099	Screw	4
02100	Taper pin	2
02101	Cover	1
02102	Taper pin	2
02103	Shaft	1
02104	plate	1
02105	Taper pin	1
02106	Pin	2
02107	Handle boss	1
02108	Nameplate	1
02109	Shaft	1
02110	Spring	1
02111	Steel ball	1
02112	Setscrew	3
02113	Setscrew	1
02114	Spring	1
02115	Grip	1
02116	Grip ball	1

## 02 Knee Part

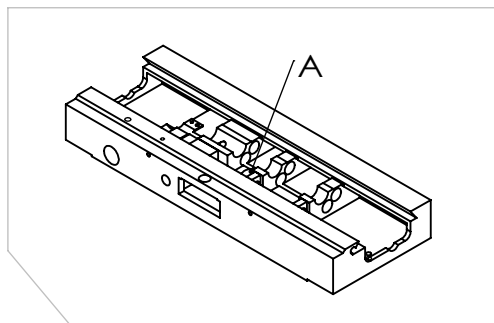
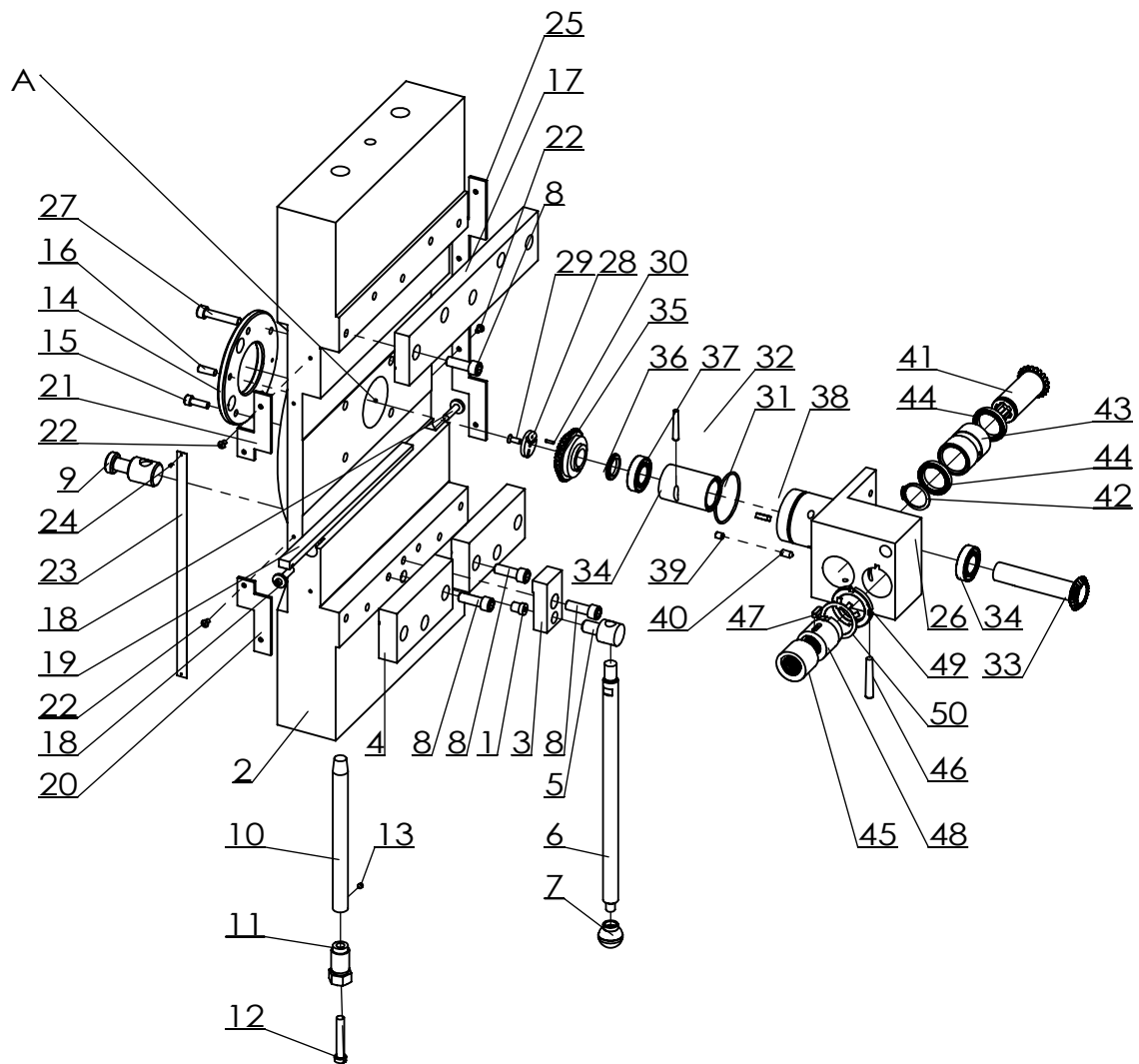
No.	Name	Qty
02117	Lever	1
02118	Taper pin	1
02119	Collar	1
02120	Screw	2
02121	Shaft	1
02122	Double-gear	1
02123	Spacer	1
02124	Washer	1
02125	Bearing	2
02126	Setcrew	1
02127	Cover	1
02128	Setcrew	2
02129	Bush	2
02130	Split pin	2
02131	Pin	2
02132	Shaft	1
02133	Collar	1
02134	Bearing	1
02135	Cover	1
02136	Gear	1
02137	Shaft retaining ring	3
02138	Gear	1
02139	Bearing	1
02140	Spline shaft	1
02141	Lead screw	1
02142	Gear	1
02143	Bearing	1
02144	Collar	1
02145	Sleeve	1

## 02 Knee Part

No.	Name	Qty
02146	Bearing	1
02147	Bearing	1
02148	Gaer	1
02149	Key	1
02150	Wire	1
02151	Gaer	1
02152	Key	1
02153	Wire	1
02154	Nameplate	1
02155	Bearing house	1
02156	Bearing	1
02157	Spacer	1
02158	Nut	1
02159	Dial	1
02160	Clutch	1
02161	Cover	1
02162	Screw	1
02163	Washer	1
02164	Elastic washer	1
02165	Handwheel	1
02166	Key	1
02167	Setcrew	1
02168	Clutch	1
02169	Pressure spring	1
02170	Lead screw	1
02171	Nut	1
02172	Screw	2
02173	Key	1
02174	Column	1

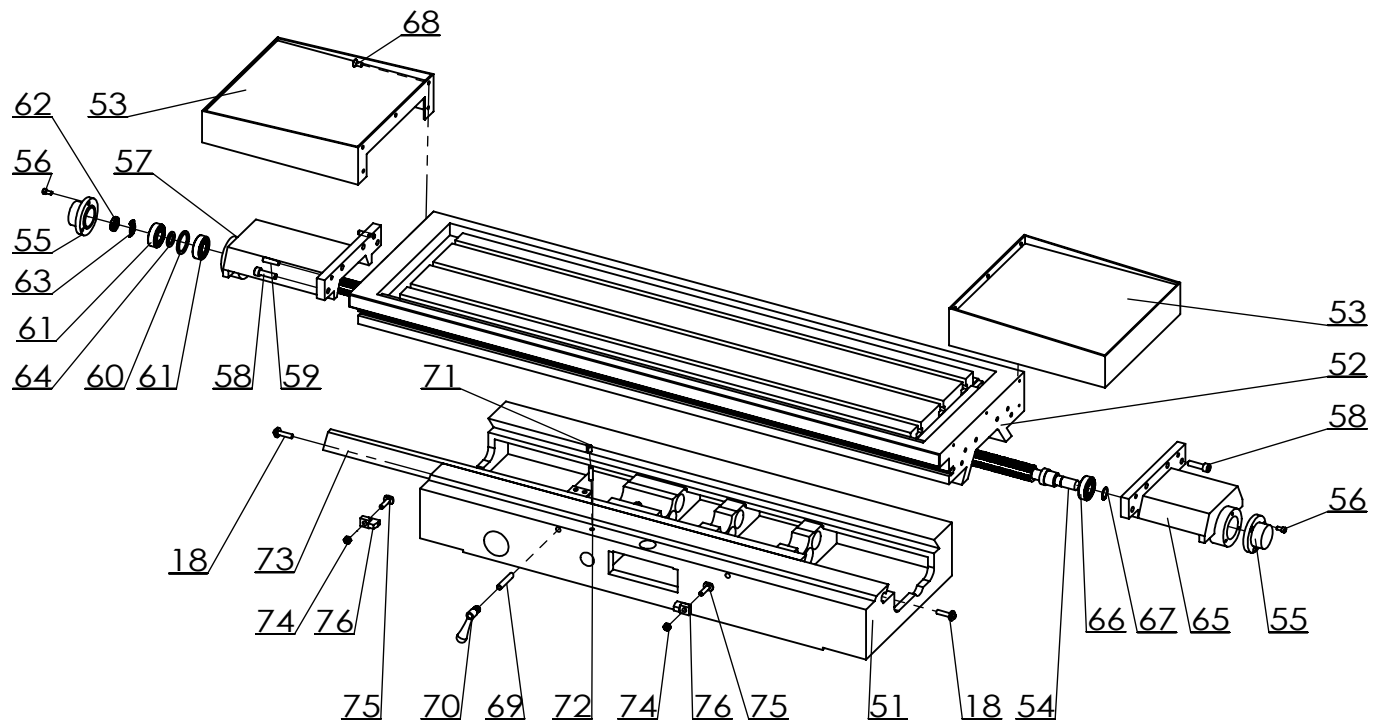
## 02 Knee Part

No.	Name	Qty
02175	Bearing	2
02176	Washer	2
02177	Bearing	1
02178	Bevel wheel	1
02179	Nut	1
02180		1
02181		1
02182		1
02183		2
02184		1
02185		1
02186		2
02187		2
02188		2
02189		2
02190		1
02191		1
02192		1
02193		1
02194		1
02195		3
02196		1
02197		1
02198		1
02199		
02200		
02201		
02202		
02203		

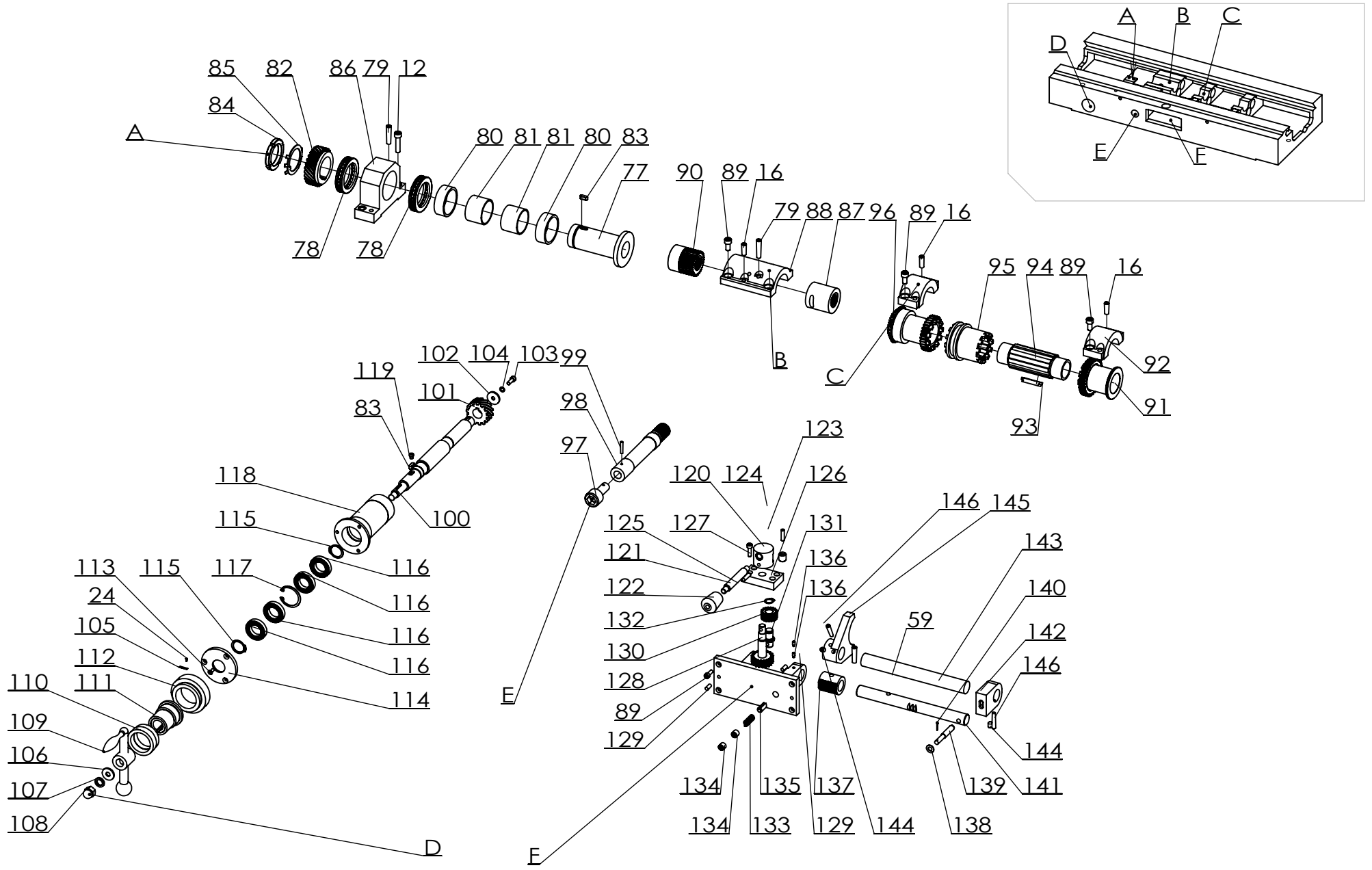


# 03 Table Part





# 03 Table Part



# 03 Table Part

# 103 Table part

No.	Name	Qty
03001	Pin	1
03002	Saddle	1
03003	Pressure plate	1
03004	Pressure plate	2
03005	Clamp bolt	1
03006	Grip	1
03007	Grip ball	1
03008	Screw	11
03009	Claping bolt	4
03010	Bar	4
03011	Screw	4
03012	Screw	4
03013	Setscrew	4
03014	Positioning ring	1
03015	Screw	4
03016	Taper pin	7
03017	Pressure plate	1
03018	Adjusting screw	4
03019	Gib	1
03020	Chip cover	1
03021	Chip cover	1
03022	Screw	8
03023	Gauge	1
03024	Screw	5
03025	Chip cover	1
03026	Supporting bracket	1
03027	Screw	4
03028	Washer	2
03029	Screw	1

## 03 Table part

No.	Name	Qty
03030	Pin	1
03031	Collar	1
03032	Taper pin	1
03033	Bevel gear	1
03034	Bearing	2
03035	Bevel gear	1
03036	Key	1
03037	Washer	1
03038	O-ring	1
03039	Screw	1
03040	Screw	1
03041	Gearshaft	1
03042	Retaining ring	1
03043	Collar	1
03044	Bearing	2
03045	Nut	1
03046	Taper pin	1
03047	Key	1
03048	Nut	1
03049	Lock nut	1
03050	Lock washer	1
03051	Upper saddle	1
03052	Table	1
03053	Cover	2
03054	Lead screw	1
03055	End cover	2
03056	Screw	6
03057	Left supporting bracket	1
03058	Screw	8

## 03 Table part

No.	Name	Qty
03059	Taper pin	5
03060	Washer	1
03061	Bearing	2
03062	Lock nut	1
03063	Lock washer	1
03064	Washer	1
03065	Right supporting bracket	1
03066	Bearing	1
03067	Retaining ring	1
03068	Screw	6
03069	Bar	2
03070	Handle	2
03071	Screw	1
03072	Cylinder pin	1
03073	Gib	1
03074	Nut	2
03075	Bolt	2
03076	Stopper	2
03077	Sleeve	1
03078	Bearing	2
03079	Taper pin	4
03080	Bearing	2
03081	Bearing	2
03082	Bevel gear	1
03083	Key	2
03084	Lock nut	1
03085	Lock washer	1
03086	Boss	1
03087	Nut	1

## 03 Table part

<b>No.</b>	<b>Name</b>	<b>Qty</b>
03088	Cover	1
03089	Screw	12
03090	Nut	1
03091	Gear	1
03092	Gear	1
03093	Key	1
03094	Spline sleeve	1
03095	Sliding sleeve	1
03096	Bevel gear	1
03097	Pin shaft	1
03098	Worm	1
03099	Taper pin	1
06100	Shaft	1
03101	Bevel wheel	1
03102	Washer	1
03103	Screw	4
03104	Washer	1
03105	Point	1
03106	Washer	1
03107	Washer	1
03108	Nut	1
03109	Handle	1
03110	Nut	1
03111	Bush	1
03112	Dial	1
03113	Screw	3
03114	Cover	1
03115	Retaining ring	2
03116	Bearing	4

## 03 Table part

No.	Name	Qty
03117	Retaining ring	1
03118	Bush	8
03119	Screw	1
03120	Handle boss	1
03121	Grip	1
03122	Grip sleeve	1
03123	Wheel	1
03124	Pin	1
03125	Taper pin	1
03126	Pressure plate	1
03127	M6x20 Screw	4
03128	Gear shaft	1
06129	Taper pin	3
03130	Gear	1
03131	Shaft	1
03132	Retaining ring	1
03133	Spring	1
03134	Screw	2
03135	Positioning pin	1
03136	Screw	2
03137	Sleeve	1
03138	Washer	1
03139	Pin	1
03140	Split pin	1
03141	Shaft	1
03142	Block	1
03143	Shaft	1
03144	Screw	2
03145	Shifter	1

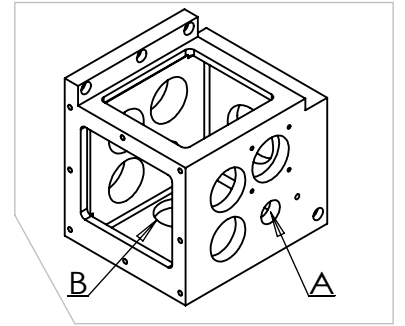
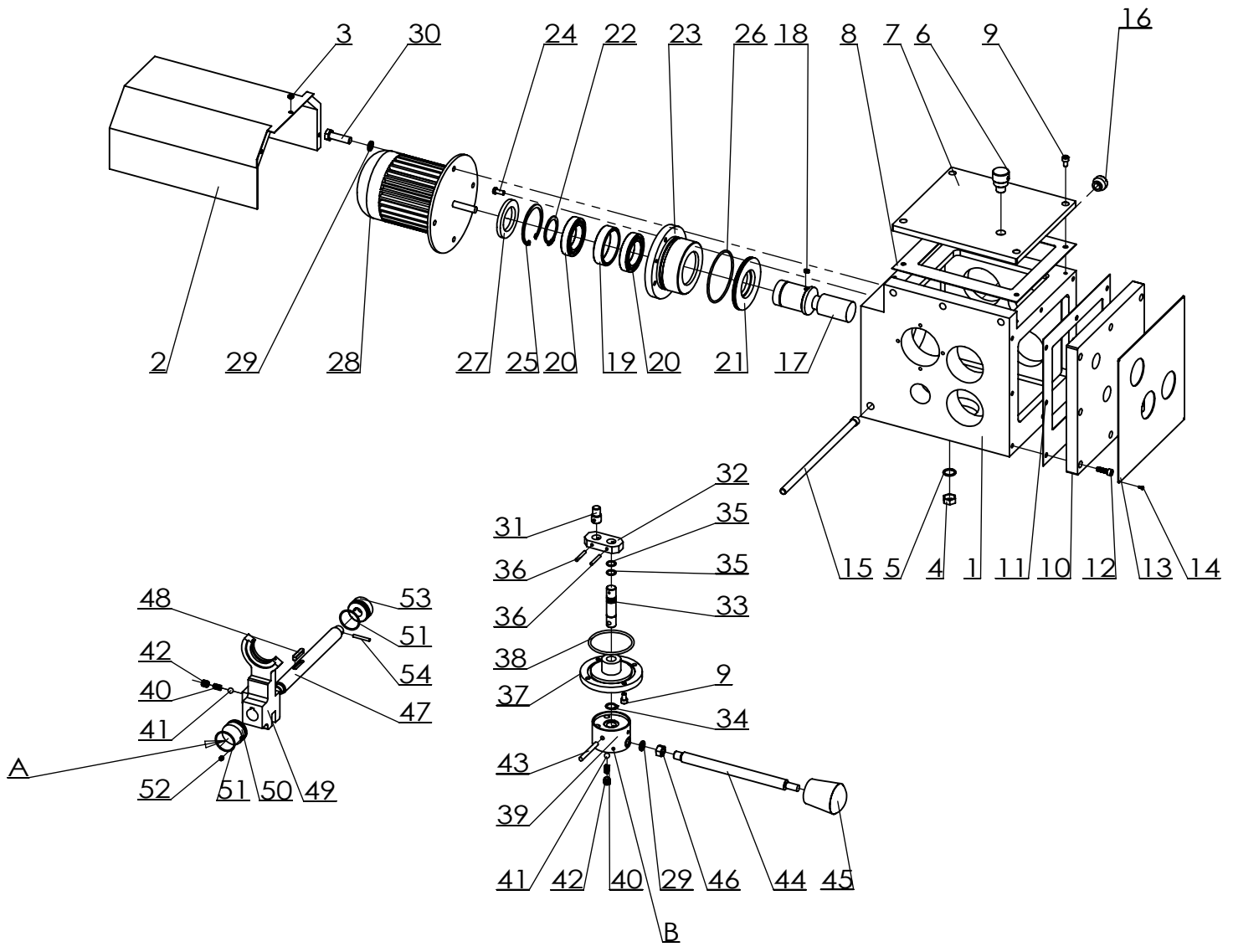
## 03 Table part

No.	Name	Qty
03146	Taper pin	2
03147		
03148		
03149		
03150		

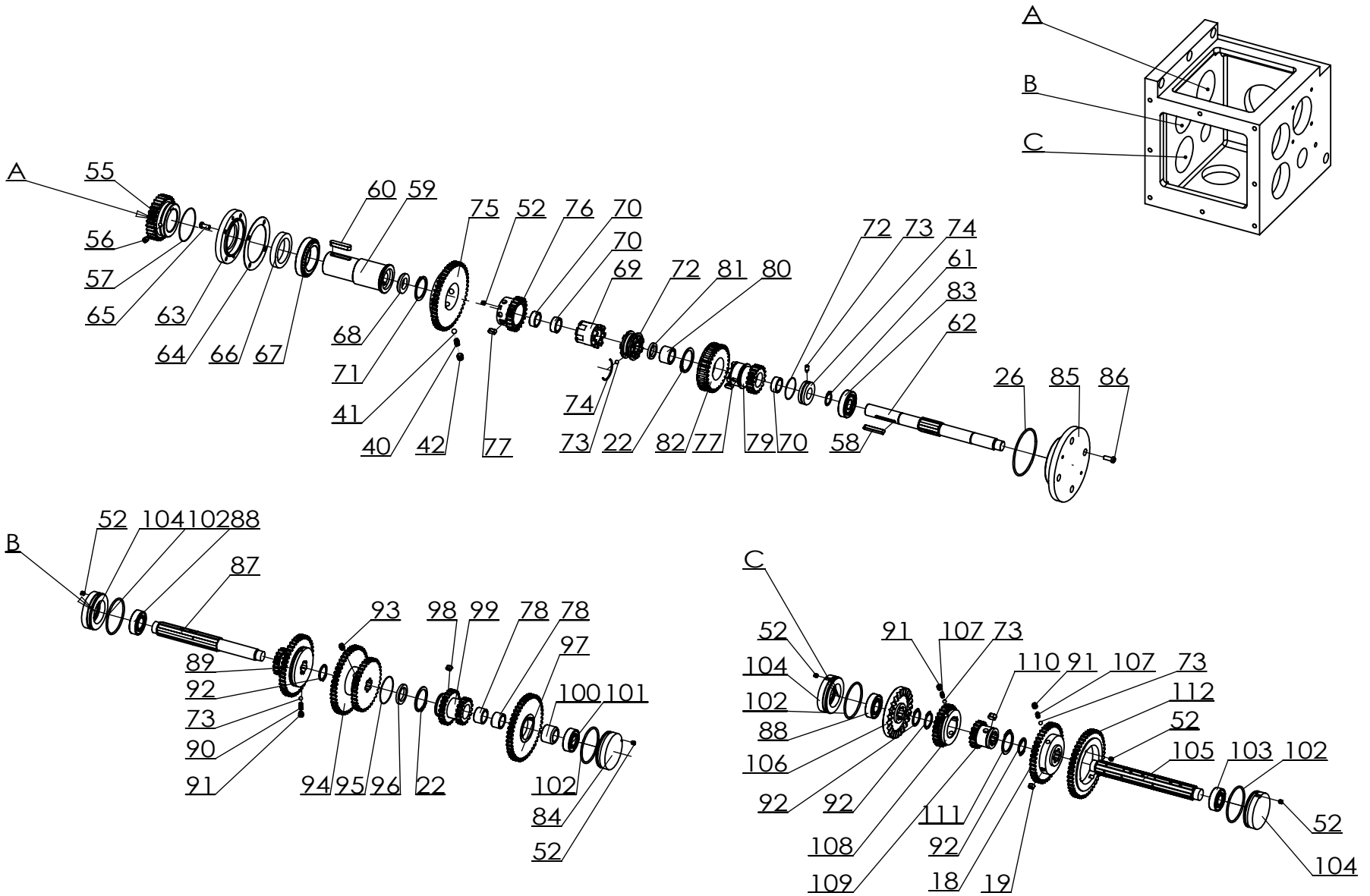




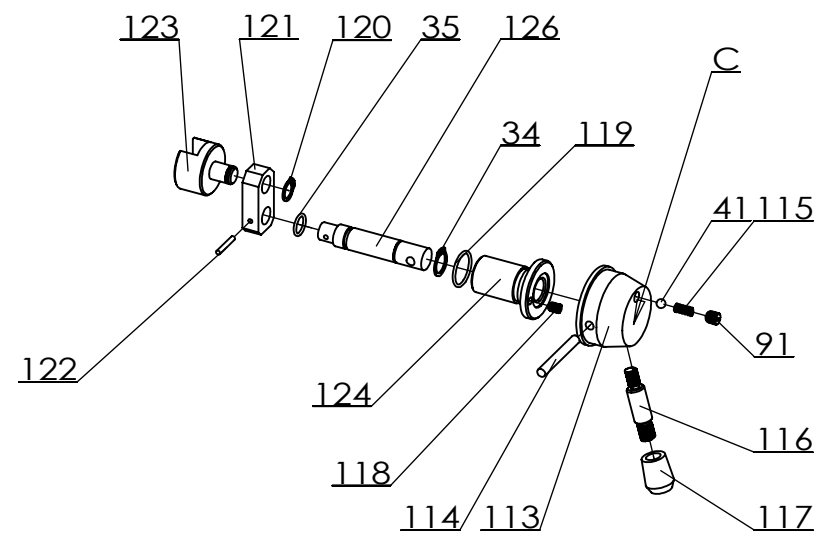
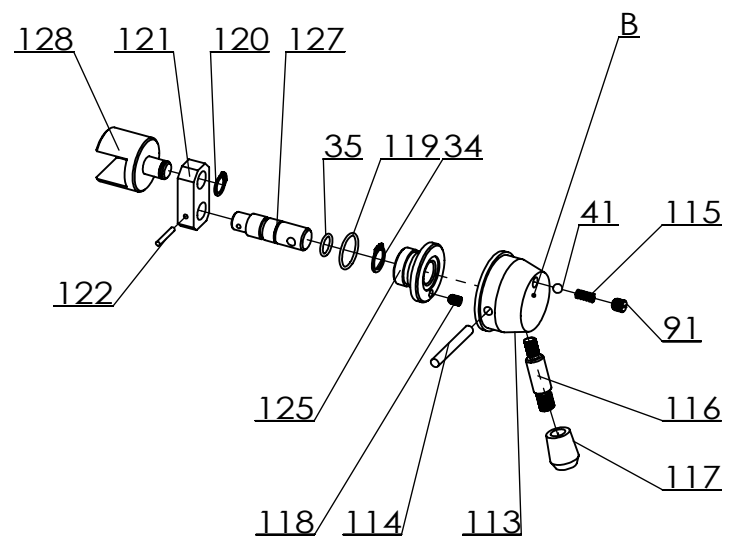
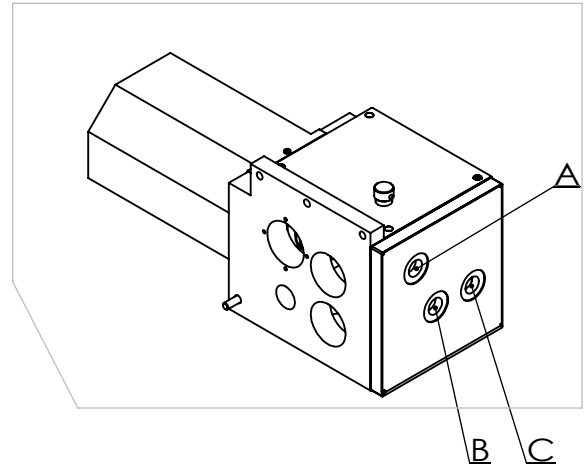
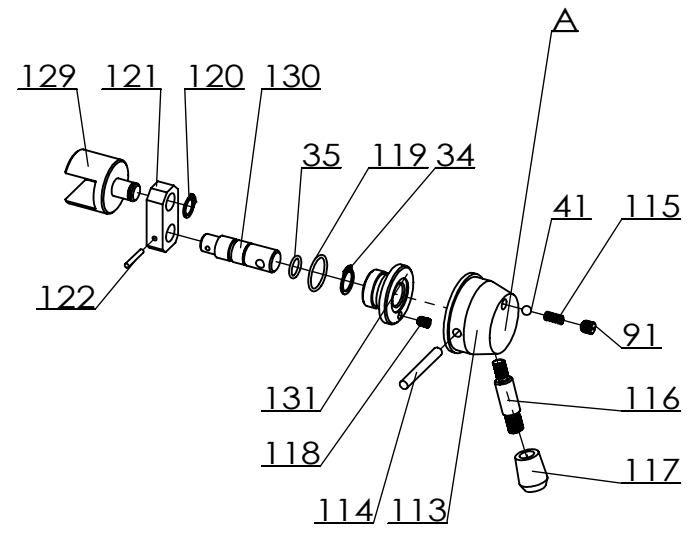
# 04 Feed of Table Part



# 04 Feed of Table Part



# 04 Feed of Table Part



## 04 Feeding box part

<b>NO.</b>	<b>Name</b>	<b>Qty</b>
04001	Feeding box	1
04002	Cover	3
04003	Cross-recessed head screw	1
04004	Oil plug	1
04005	Copper washer	1
04006	Oil plug	1
04007	Cover	1
04008	Washer	1
04009	Screw	8
04010	Cover	1
04011	Washer	1
04012	Screw	8
04013	Nameplate	1
04014	Screw	4
04015	Screw	1
04016	Oil gauge	1
04017	Worm	1
04018	Key	1
04019	Bush	1
04020	Bearing	2
04021	Collar	1
04022	Shaft retaining ring	3
04023	Bearing	1
04024	Screw	4
04025	Retaining ring for hole	1
04026	O-ring	2
04027	Sealing ring	1
04028	Motor	1
04029	Washer	5

## 04 Feeding box part

<b>NO.</b>	<b>Name</b>	<b>Qty</b>
04030	Bolt	4
04031	Shaft	1
04032	Connecting plate	1
04033	Shaft	1
04034	Shaft retaining ring	4
04035	O-ring	9
04036	Taper pin	2
04037	Collar	1
04038	O-ring	1
04039	Lever boss	1
04040	Spring	8
04041	Steel ball	6
04042	Setscrew	6
04043	Taper pin	1
04044	lever	1
04045	Grip	1
04046	Nut	1
04047	Shaft	1
04048	Key	1
04049	Shifter	1
04050	Plug	1
04051	O-ring	2
04052	Setscrew	17
04053	Plug	1
04054	Taper pin	1
04055	Gear	1
04056	Setscrew	1
04057	Wire	1
04058	Key	1

## 04 Feeding box part

<b>N0.</b>	<b>Name</b>	<b>Qty</b>
04059	Sleeve	1
04060	Key	1
04061	Shaft retaining ring	1
04062	Shaft	1
04063	Cover	1
04064	Washer	1
04065	Screw	4
04066	Oil seal	1
04067	Bearing	1
04068	Collar	1
04069	Clutch	1
04070	Collar	3
04071	Shaft retaining ring	1
04072	Clutch	1
04073	Steel ball	11
04074	Positioning clip	1
04075	Gear	1
04076	Gear	1
04077	Key	1
04078	Collar	1
04079	Gear	1
04080	Collar	1
04081	Collar	1
04082	Worm wheel	1
04083	Bearing	1
04084	Bearing cover	1
04085	cover	1
04086	Screw	4
04087	Spline shaft	1

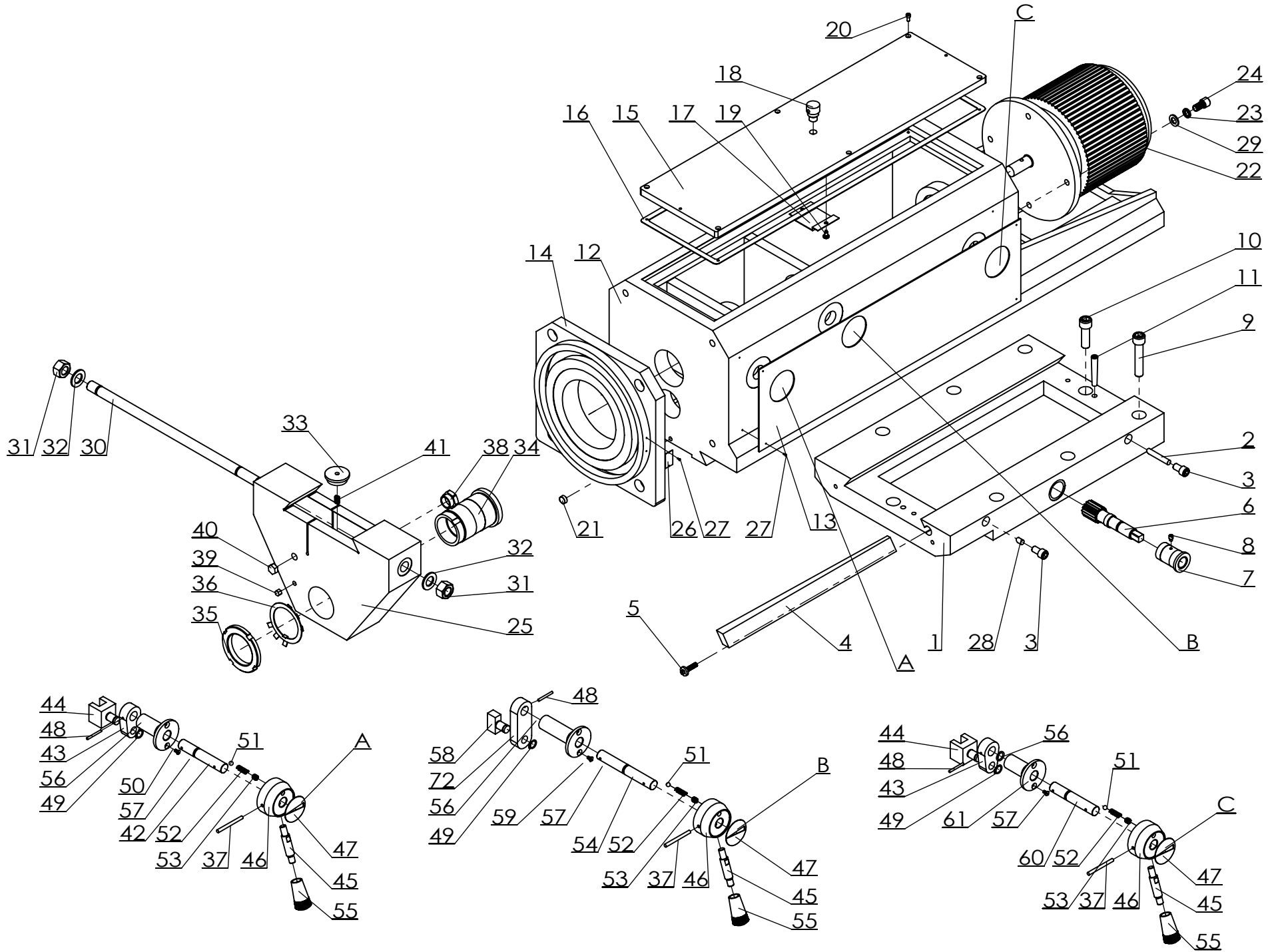
## 04 Feeding box part

<b>NO.</b>	<b>Name</b>	<b>Qty</b>
04088	Bearing	3
04089	Gear	1
04090	Spring	2
04091	Setcrew	9
04092	Shaft retaining ring	4
04093	Setcrew	1
04094	Gear	1
04095	Wire	1
04096	Washer	1
04097	Gear	1
04098	Key	2
04099	Gear	1
04100	Collar	1
04101	Bearing	1
04102	O-ring	4
04103	Bearing	1
04104	Bearing boss	3
04105	Spline shaft	1
04106	Gear	1
04107	Spring	1
04108	Gear	1
04109	Gear	1
04110	Key	1
04111	Shaft retaining ring	1
04112	Gear	1
04113	Lever boss	3
04114	Taper pin	3
04115	Spring	3
04116	lever	3

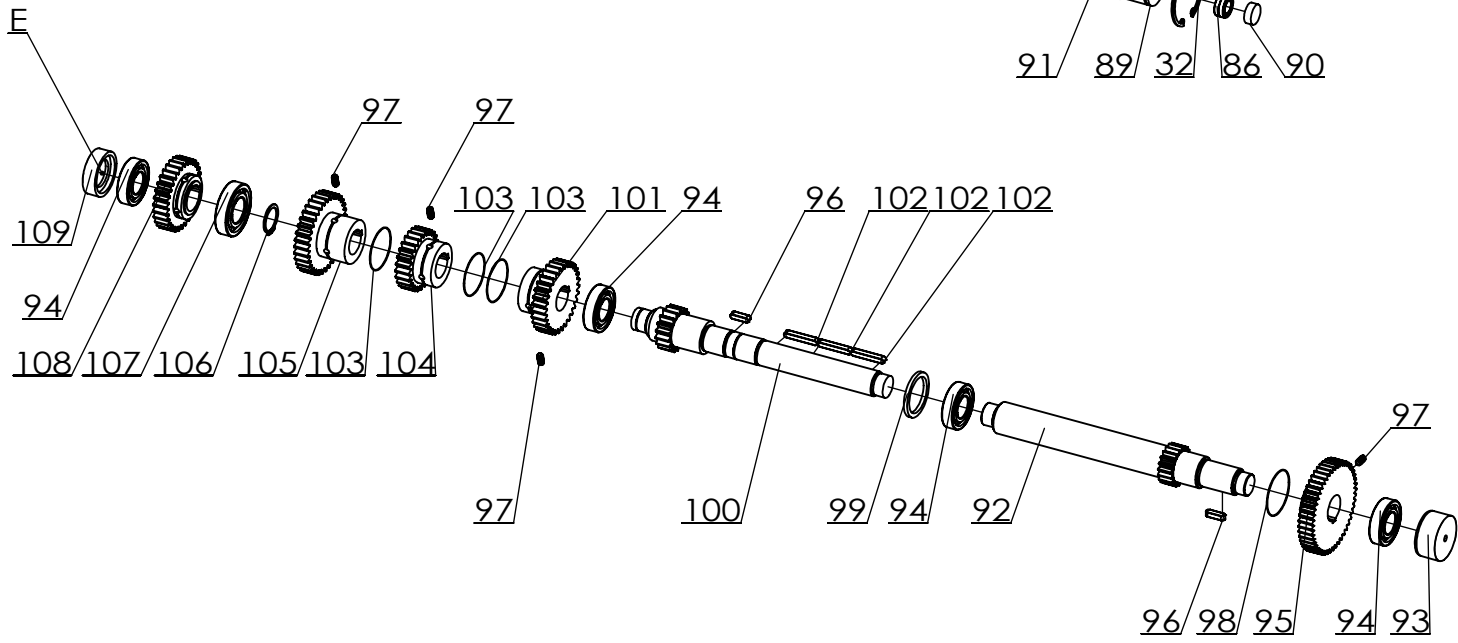
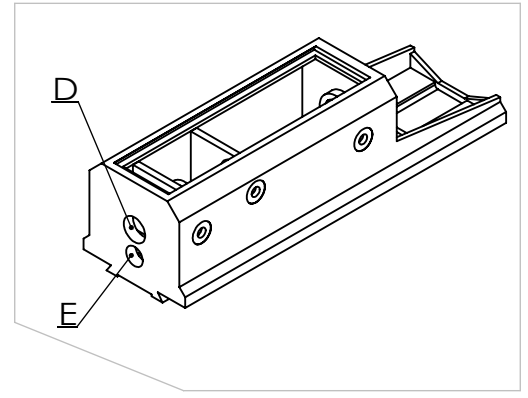
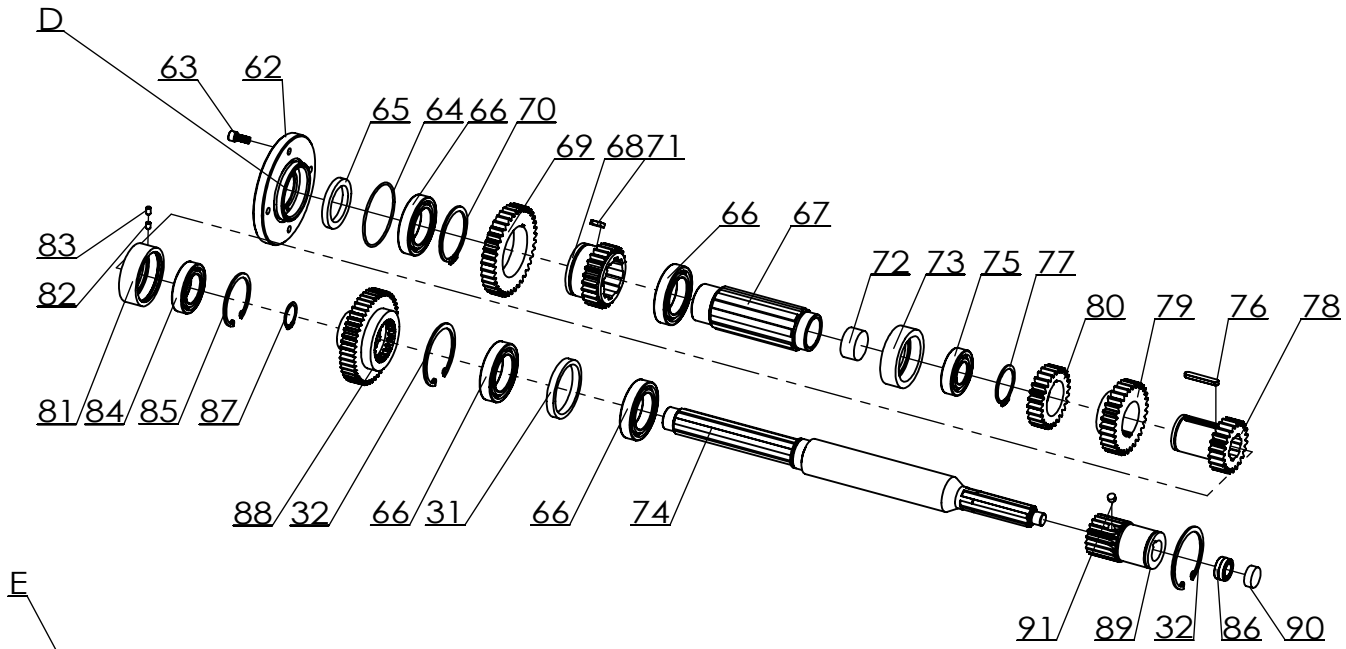


## 04 Feeding box part

<b>NO.</b>	<b>Name</b>	<b>Qty</b>
04117	Grip	3
04118	Setcrew	3
04119	O-ring	3
04120	Shaft retaining ring	3
04121	Plate	3
04122	Taper pin	3
04123	shifter	1
04124	Bush	1
04125	Bush	1
04126	Shaft	1
04127	Shaft	1
04128	Shifter	1
04129	Shifter	1
04130	Shaft	1
04131	Bush	1
04132		
04133		
04134		



# 05 Ram Part



05 Ram Part

# 05 Ram part

<b>N0.</b>	<b>Name</b>	<b>Qty</b>
05001	Plate	1
05002	Pressure block	1
05003	Hex. socket head bolt	2
05004	Gib	1
05005	Adjusting screw	1
05006	Gear shaft	1
05007	Bush	1
05008	Setscrew	1
05009	Hex. socket head screw	6
05010	Hex. socket head screw	2
05011	Taper pin	2
05012	Gear box	1
05013	Aluminium plate	1
05014	Connecting plate	1
05015	Plate	1
05016	Washer	1
05017	Plate	1
05018	Oil plug	1
05019	Setcrew	2
05020	Hex. socket head screw	6
05021	Oil plug	1
05022	Motor	1
05023	Washer	4
05024	Hex. socket head screw	4
05025	Hanger	1
05026	Point	1
05027	Rivet	8
05028	Pressure block	1
05029	Washer	4

## 05 Ram part

<b>N0.</b>	<b>Name</b>	<b>Qty</b>
05030	Bolt	1
05031	Nut	2
05032	Washer	2
05033	Cover	1
05034	Sleeve	1
05035	Lock nut	1
05036	Lock washer	1
05037	Taper pin	3
05038	Oil gauge	1
05039	Oil plug	1
05040	Oil plug	1
05041	Caddice	1
05042	Shaft	1
05043	Rocker	2
05044	Shifter	2
05045	Lever	3
05046	Handle boss	3
05047	Indicator plate	3
05048	Taper pin	3
05049	Shaft retaining ring	3
05050	Sleeve	1
05051	Steel ball	3
05052	Spring	3
05053	Setscrew	3
05054	Shaft	1
05055	handle	3
05056	O-ring	3
05057	Screw	6
05058	Shifter	1

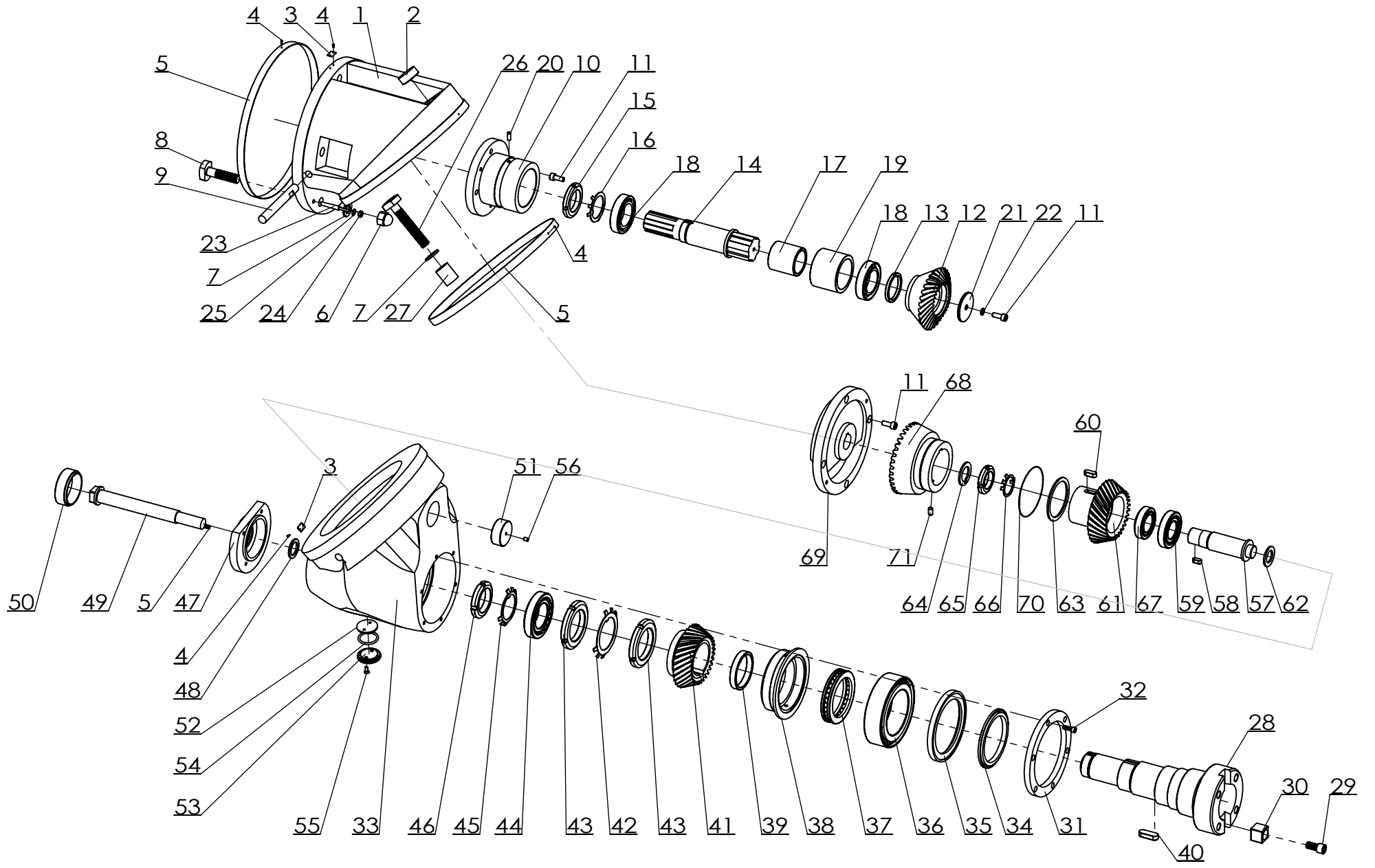
## 05 Ram part

<b>N0.</b>	<b>Name</b>	<b>Qty</b>
05059	Sleeve	1
05060	Shaft	1
05061	Sleeve	1
05062	Cover	1
05063	Hex. socket head screw	4
05064	O-ring	1
05065	Oil seal	1
05066	bearing	4
05067	Spline sleeve	1
05068	Gear	1
05069	Gear	1
05070	Shaft retaining ring	1
05071	Key	1
05072	Oil plug	1
05073	Bearing house	1
05074	Spline shaft	1
05075	Bearing	1
05076	Key	1
05077	Shaft retaining ring	1
05078	Gear	1
05079	Gear	1
05080	Gear	1
05081	Bush	1
05082	Setscrew	1
05083	Setscrew	1
05084	Bearing	1
05085	Retaining ring for hole	1
05086	bearing	1
05087	Shaft retaining ring	1

# 05 Ram part

<b>N0.</b>	<b>Name</b>	<b>Qty</b>
05088	Gear	1
05089	Gear shaft	1
05090	Oil plug	1
05091	Oil plug	1
05092	Gear shaft	1
05093	Plug	1
05094	Bearing	4
05095	Gear	1
05096	Key	2
05097	Setscrew	4
05098	Iron wire	1
05099	Washer	1
05100	Gear shaft	1
05101	Gear	1
05102	Key	3
05103	Iron wire	3
05104	Gear	1
05105	Gear	1
05106	Shaft retaining ring	1
05107	Bearing	1
05108	Gear	1
05109	plug	1
05110		1
05111		1
05112		1
05113		1
05114		1
05115		1
05116		1

# 06 Headstock Part





# 06 milling head part

No.	Name	Qty
06001	Rotator	1
06002	Plug	1
06003	Indicator plate	2
06004	Rivet	12
06005	Angle ruler	2
06006	Nut	7
06007	Washer	5
06008	Bolt for T-slot	2
06009	Lever	2
06010	Base	1
06011	Screw	9
06012	Helix gear	1
06013	Washer	1
06014	Spline shaft	1
06015	Nut	1
06016	Lock washer	1
06017	Bush	1
06018	Bearing	2
06019	Bush	1
06020	Taper pin	2
06021	Washer	1
06022	Washer	1
06023	Taper pin	2
06024	Nut	2
06025	Washer	2
06026	Bolt for T-slot	2
06027	Nut	2
06028	Spindle	1
06029	Screw	2

# 06 milling head part

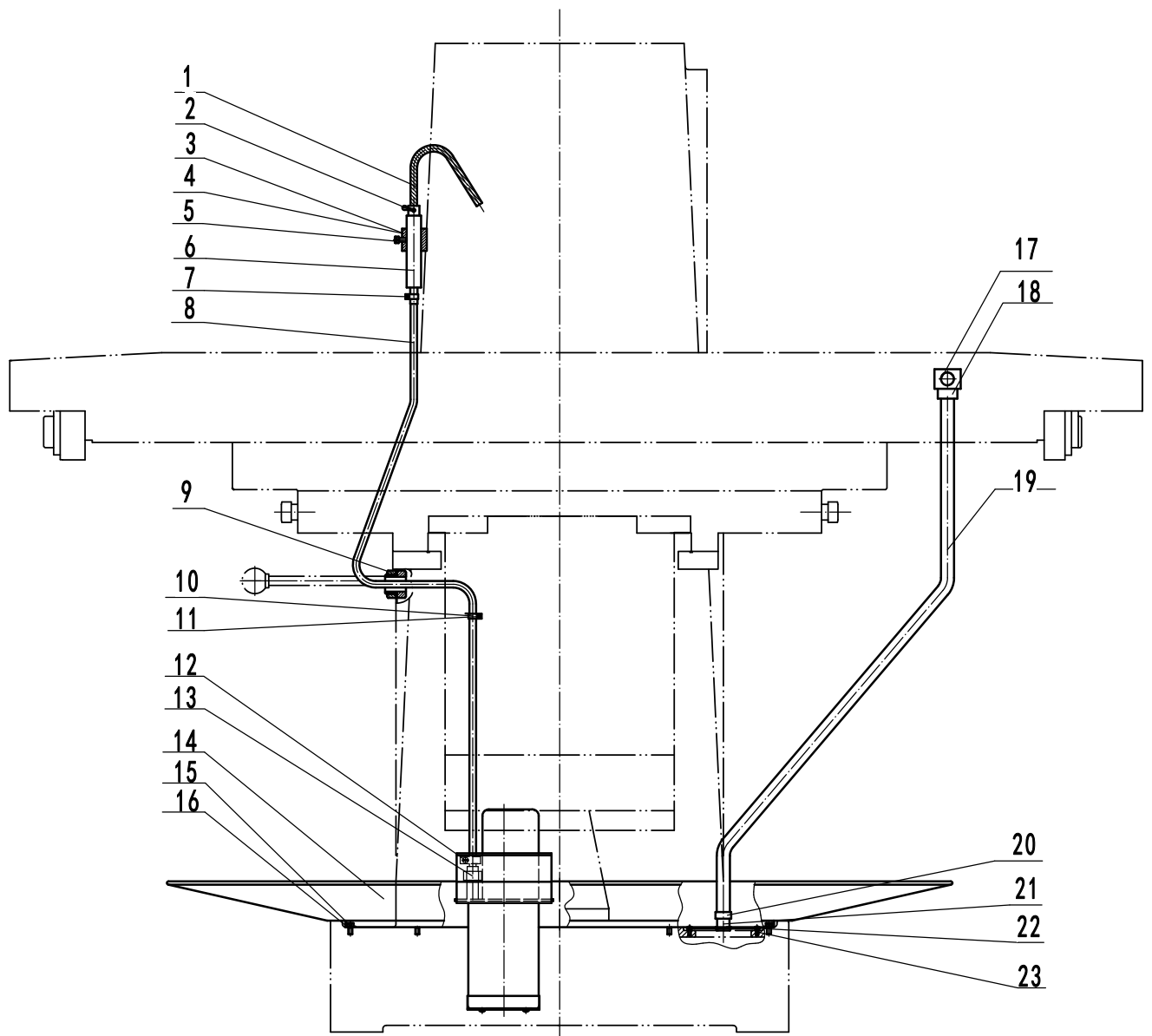
No.	Name	Qty
06030	Key	2
06031	Cover	1
06032	Screw	6
06033	Headstock	1
06034	Collar	1
06035	Collar	1
06036	Bearing	1
06037	Bearing	1
06038	Bearing sleeve	1
06039	Collar	1
06040	Key	1
06041	Helix gear	1
06042	Lock washer	1
06043	Nut	2
06044	Bearing	1
06045	Lock washer	1
06046	Nut	1
06047	Cover	1
06048	Washer	2
06049	Drawing bolt	1
06050	Cover	1
06051	Plug	1
06052	Cover	1
06053	Cover	1
06054	O-ring	1
06055	screw	2
06056	Setscrew	1
06057	Shaft	1
06058	Key	1

# 06 milling head part

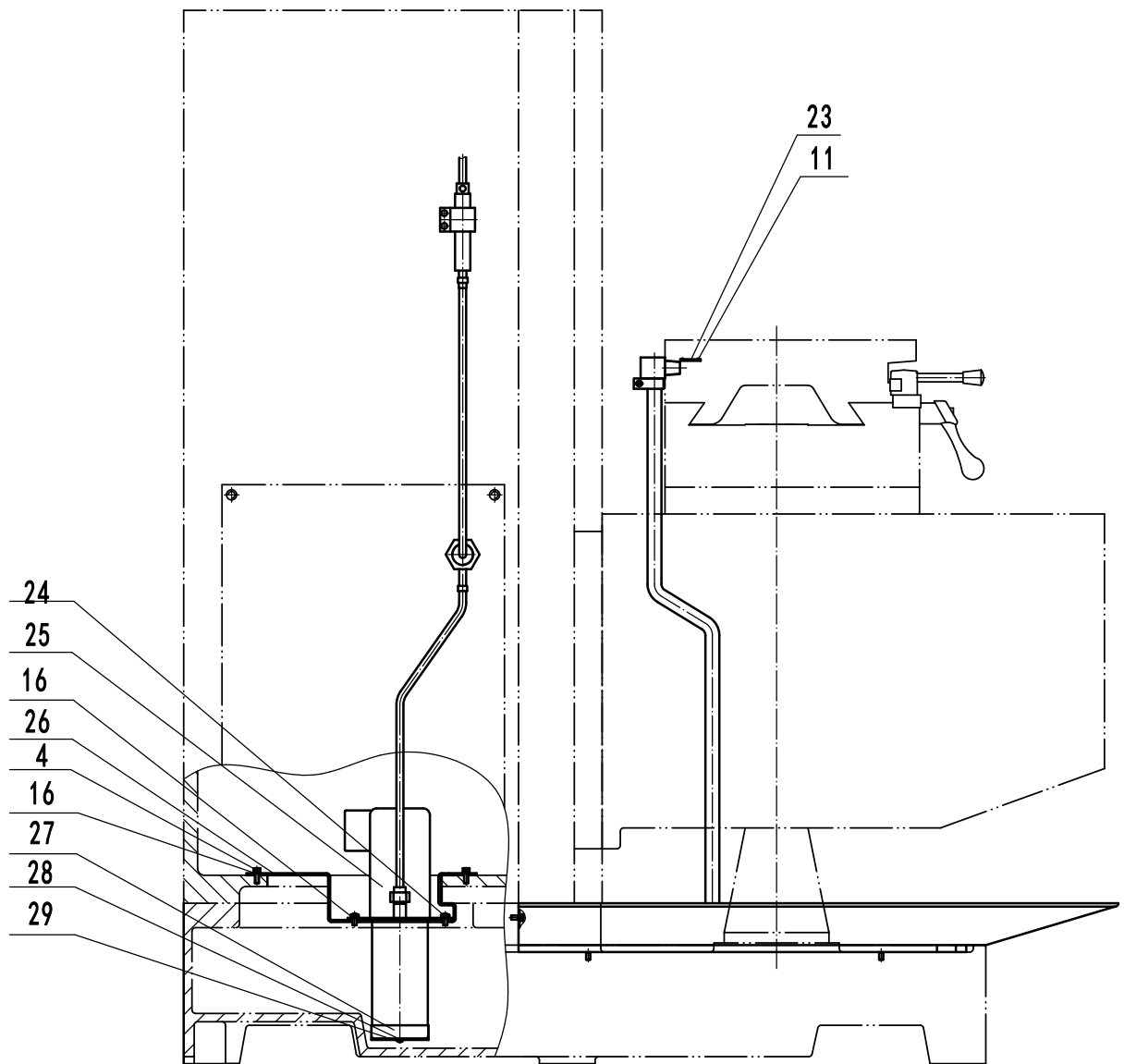
No.	Name	Qty
06059	Bearing	1
06060	Key	1
06061	Helix gear	1
06062	Washer	1
06063	Washer	1
06064	Washer	1
06065	Nut	1
06066	Lock washer	1
06067	Bearing	1
06068	Helix gear	1
06069	Connecting seat	1
06070	Iron wire	1
06071	Setscrew	1
06072		
06073		
06074		
06075		
06076		
06077		
06078		
06079		
06080		
06081		
06082		
06083		
06084		
06085		
06086		
06087		



# 09 Cooling parts



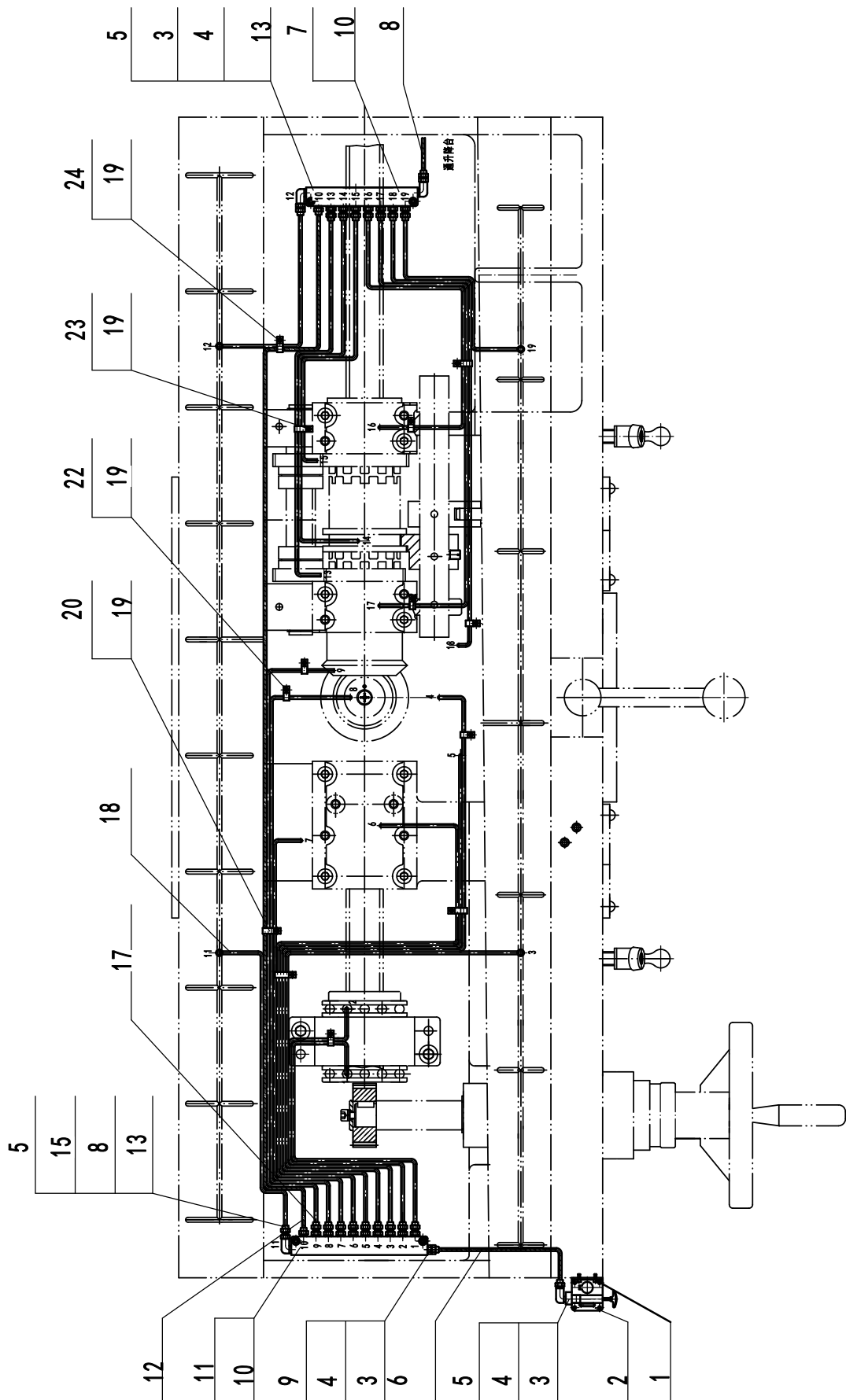
# 09 Cooling parts



## 09 10 Cooling & Lubricating parts

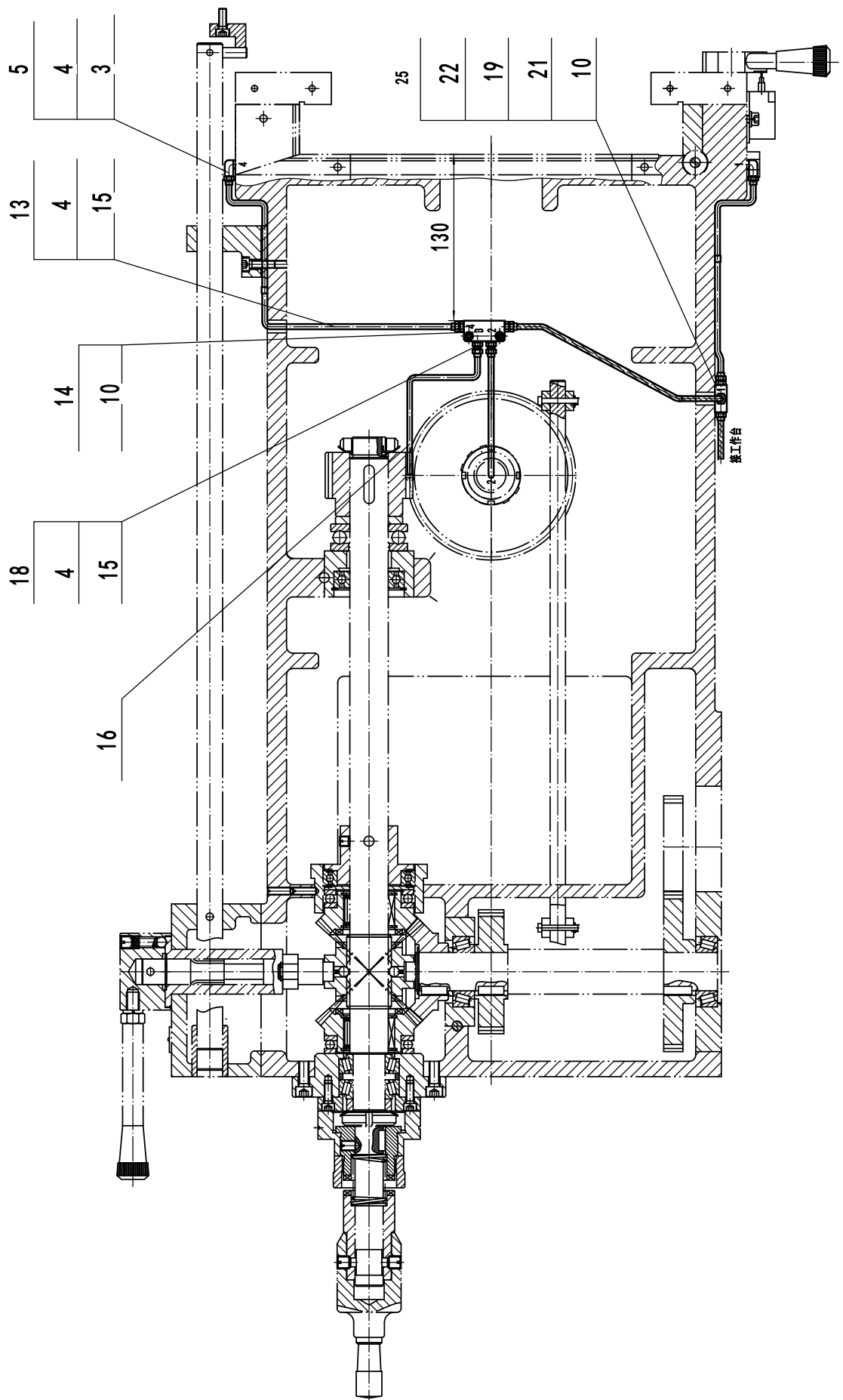
<b>No.</b>	<b>Name</b>	<b>Qty</b>
1	Cooling pipe	1
2	Valve	1
3	Fixed boss	1
4	Connecting pipe	1
5	Screw	4
6	Screw	1
7	Hoop	1
8	Hose	1
9	Joint	1
10	Clip	3
11	Screw	5
12	Hoop	1
13	Joint	1
14	Chip tray	1
15	Screw	8
16	Washer	13
17	Joint	1
18	Hoop	2
19	Hose	1
20	Joint	1
21	Plate	1
22	Screw	2
23	Plate	1
24	Screw	4
25	Cooling motor	1
26	Cooling motor base	1
27	Cover	1
28	Net	1
29	Screw	3

# 10 Lubricating parts





# 10 Lubricating parts



# 10 Lubricating parts

<b>No.</b>	<b>Name</b>	<b>Qty</b>
1	Screw	2
2	Manual lubricating motor	1
3	Joint	12
4	Adapter	26
5	Elbow	5
6	Oil pipe	1
7	Distributor	1
8	Oil pipe	1
9	Elbow	1
10	Screw	6
11	Distributor	1
12	Oil pipe	1
13	Gauge	22
14	Distributor	1
15	Nut	14
16	Copper pipe	1
17	Copper pipe	1
18	Nylon pipe	1
19	Screw	14
20	Clipper	4
21	Distributor	1
22	Clip	6
23	Clip	2
24	Clip	2
25	Oil pipe	1
26		1
27		1
28		1
29		3

